

Self-service convenience in XXL format

For an enhanced shopping experience



Large screen

Excellent visibility: the 17-inch touchscreen with LED backlight allows retailers to set up and customize particularly user-friendly layouts – from large buttons that are easy to select, all the way up to dedicated fields for additional information.



Interactive shopping

Offer your customers an innovative shopping experience: use the UC-GLT-M as a high-performance self-service info terminal and display text, images and videos on the bright touchscreen. Whether special offers, useful information or recipe tips: the UC-GLT-M makes you hungry for more.



Reliable convenience

Robust design and shielded connections – ensuring that shopping goes smoothly. With its easy legible and fast reacting touchscreen, the UC-GLT-M is very intuitive and convenient for customers to use, thereby contributing to increased sales.



Making the most of quiet periods

Integrate natural breaks in self-service scale usage effectively into your day-to-day sales – with visual sales promotion on the screen. As soon as goods touch the load plate for weighing or the customer touches the touchscreen, the screen immediately returns to the weighing process.



UC-GLT-M – High-end self-service scale with 17-inch touchscreen

With its 17-inch touchscreen, the UC-GLT-M scale offers exemplary convenience in the self-service fresh produce department. Customers quickly find what they need on the large, easily legible and intuitive touchscreen display. With its powerful processor and large internal memory reserves, the scale also boasts sufficient computing power to handle applications for visual sales promotion or for use as an interactive self-service info terminal during quiet periods in the store. Its fast printing unit for labels or linerless printing puts an end to lengthy queues. An optional double printer also allows recipes and information to be printed out directly for customers to take home. The UC-GLT-M self-service scale is available with a black or silver housing.

- **Visual sales promotion at the point of sale – encourages impulse purchases**
- **Powerful self-service info terminal – for an enhanced shopping experience**
- **Easy to use – high level of acceptance by customers**
- **Faster payment process – no more weighing at the cash register**

For the most stringent demands

The UC Evo Max Line is the range of METTLER TOLEDO PC scales for the most stringent demands. The UC Evo Max Line can be used for a wide variety of fresh food ranges and also supports CPU-intensive applications, such as multimedia sales promotions at the point of sale. The UC Evo Max Line impresses with its exceptional networking capability and capacity to support external applications.

Technical data

UC-GLT-M

Touchscreen

- 17" (43 cm) touch-sensitive screen
- Touchscreen with LED backlight technology
- Adjustable tilt angle
- Screen resolution: 1280 x 1024 pixels

Printer options

- 2" (54 mm) label printer
- 2" (54 mm) combined ticket and label printer; optional
- 2" (54mm) linerless printer, optional
- Printing speed: up to 0.5" (125 mm) per second
- Print resolution: 200 dpi (8 dots per mm)
- Logos printed on tickets or labels
- Printing of upper and lower case characters
- Choice of 101 print fonts
- Freely definable labels

Data storage

- 250 GB hard drive
- SSD (optional)
- 2 GB RAM
- 4 GB RAM (optional)

Interfaces and protocols

- TCP/IP Ethernet interface (10/100)
- 1 x RS232 serial interface
- 1 x RJ11 interface for controlling the cash register drawer
- 2 x USB 2.0 connections
- Integrated wireless solution for wireless data transfer as per the according to IEEE 802.11b/g/n standard (optional)

Further information

Please see the application sheets for further details regarding the performance of the UC-3 software for METTLER TOLEDO PC scales and the optional METTLER TOLEDO applications.

Remote maintenance and data communication

- InTouchSM Remote Services
- FTP (File Transfer Protocol)
- VNC (Virtual Network Computing)

Operating system

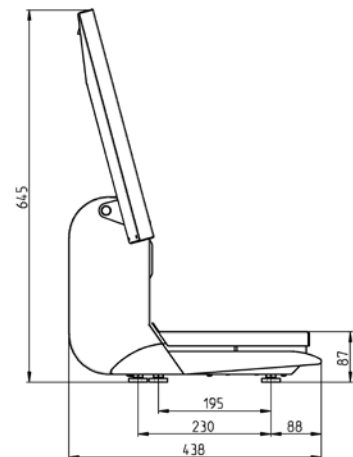
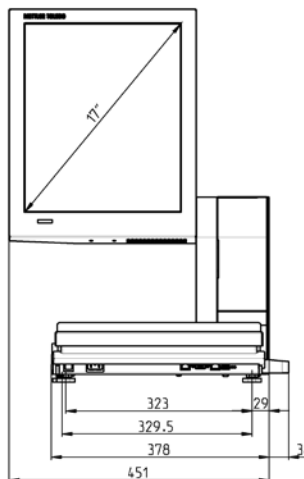
- Windows Embedded Standard 7
- Linux (optional)

Housing colors

- Black
- Silver

Weighing range	6 kg	15 kg	3 kg/6 kg	6 kg/15 kg	12 kg	30 kg
Graduation	2 g	5 g	1 g/2 g	2 g/5 g	2 g	5 g
Minimum capacity*	40 g	100 g	20 g	40 g	40 g	100 g

* EC: printout at minimum capacity possible, but not with price marking.
Tare adjustment across the entire weighing range, automatic zeroing



ISO 9001 quality management certification
 ISO 14001 environmental management certification
 Internet: <http://www.mt.com>
 Worldwide service

Subject to technical changes.
 © 05/2012 Mettler-Toledo AG
 Printed in Germany 22022510
 Global MarCom Switzerland

www.mt.com/retail

Further information

